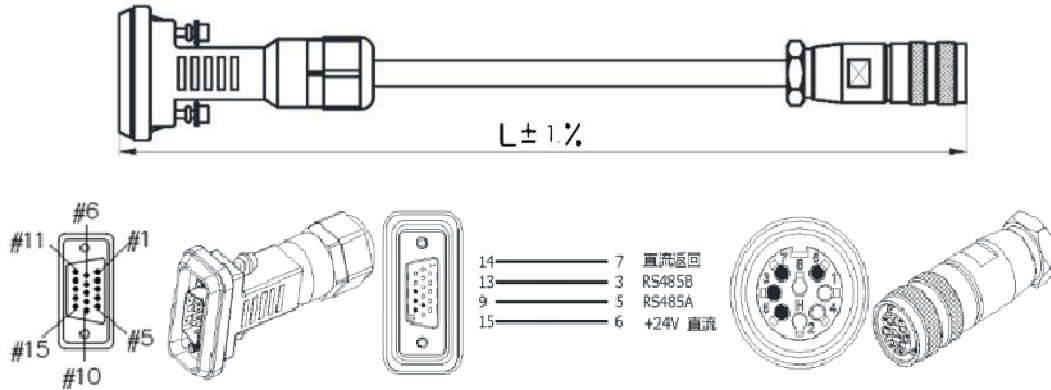


**TECHNICAL SPECIFICATION**

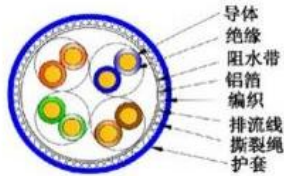
Part No: FHDT-AISGF-DB15-10M/20M

Chengdu Datang

**1. Figure**



**2. Cable**



**3. Construction 结构**

**Wire**

Construction Twisted pair, 4 pairs  
 Conductor material Tinned copper wire / bare copper wire  
 Conductor cross-section area 24AWG(0.205±0.02mm<sup>2</sup>)  
 0.52±0.03mm  
 Conductor diameter  
 Insulation HDPE/PVC/PP  
 Insulation diameter 1.03±0.1mm  
 Thinnest thickness 0.2mm  
 Thickness 0.3mm

**Shield**

Material 1  
 Material 2 Aluminum-plastic composite tape (Thickness ≥ 0.04mm)  
 Tinned copper wire (diameter ≥ 0.1mm)  
 ≥ 45%

**Jacket**

Weaving density  
 Material PVC  
 Outer diameter 7.0±0.3mm  
 Thickness 1.0±0.1mm  
 Color Black

**4. Contact 接点**

Pin	AISG Female	Pin	DB15 Male
3	green	13	green
5	White green	9	white green
6	blue, white blue	15	blue, white blue
7	brown, white brown	14	brown, white brown

**5. PRODUCT SPECIFICATION**

Frequency range (频率范围)

N/A

**6. MATERIAL AND FINISH 材质和电镀层种类**

Outer Contact (外导体)	HPb59-1/nickel
Center Contact (中心导体)	C5210 Ni50u" /Au3u"
Cover (防尘帽)	PE
Insulator (绝缘体)	PBT
Seal (绝缘体)	Silicon Rubber

**7. ELECTRICAL CHARACTERISTICS 电气特性**

Voltage Standing Wave Ratio (电压驻波比)	N/A
Contact Resistance (接触阻抗)	<5mΩ
Insulator Resistance (绝缘阻抗)	500MΩ

**8. MECHANICAL CHARACTERISTICS 机械特性**

mechanical life (机械寿命)	500 cycles
Engagement Forces (插入力)	4PIN-60N max/DB15-60N max
Disengagement Forces (拔离力)	4PIN-60N max/DB15-60N max
Contact Retention (中心导体推力)	6 lbs Min
Coupling Nut Retention(联结螺帽承受力)	80 lbs (350 N) Min
Coupling Proof Torque(联结螺帽承受扭力)	10 lbs-in Min
IP-degree (防水要求)	IP67

**9. Environmental requirements 环境要求**

Temperature range (温度循环)	-40°C +85°C (IEC 60068-1)
Neutral salt mist (中性盐雾)	168H 50 m/s
Vibration and impact (冲击、振动)	2; 10~500Hz, 20m/s 2 Frequency sweep cycle 10 times in each direction,
Flammability (防火等级)	2h UL94-V0
environmental needs (环保要求)	RoHS

Max voltage (V)	250V
Rated Current (A)	5A
Characteristic impedance (Ω)	100±20
AISG Connector A	8pin Female
AISG Connector A Body Style	Straight
Protocol	AISG 2.0
AISG Connector A Standard	IEC601309
Subjects served by AISG cable	Adjust the electric tilt of the Antenna with RET